

WonderWorx[®] LLC

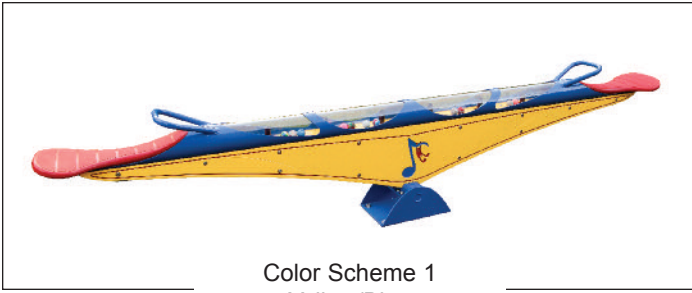
WonderChime Seesaw

This beautiful, patented, kinetic sculpture blends the concept of the ancient aboriginal rainstick with a time-tested playground standard and attains new heights of cooperative, interactive fun by adding sights and sounds to outdoor playground equipment. The WonderChime Seesaw is a sophisticated, artistically designed, kinetic invention that produces musical sounds and will engage all in a dynamic, multisensory stimulating activity. The WonderChime provides important aerobic exercise, encourages collaboration, fosters creativity, and is uniquely beneficial when employed as a therapeutic device.

As a percussion instrument, it has tuned chimes that are struck by colorful superballs to create various notes and splashes of sound. The invention is also a wonderful hands-on tool for learning about a variety of music or science concepts. Examples of educational topics range from notes, tones, timbre and pitch to fulcrums, levers, balance and probability. The WonderChime also has many special needs applications.



Designed and engineered to ASTM standards and CPSC guidelines, the WonderWorx[®] unique, patent-protected WonderChime Seesaw is also IPEMA Certified. It uses a self-centering, rubber torsion mechanism, and is designed for easy installation and low maintenance.



Color Scheme 1
Yellow/Blue

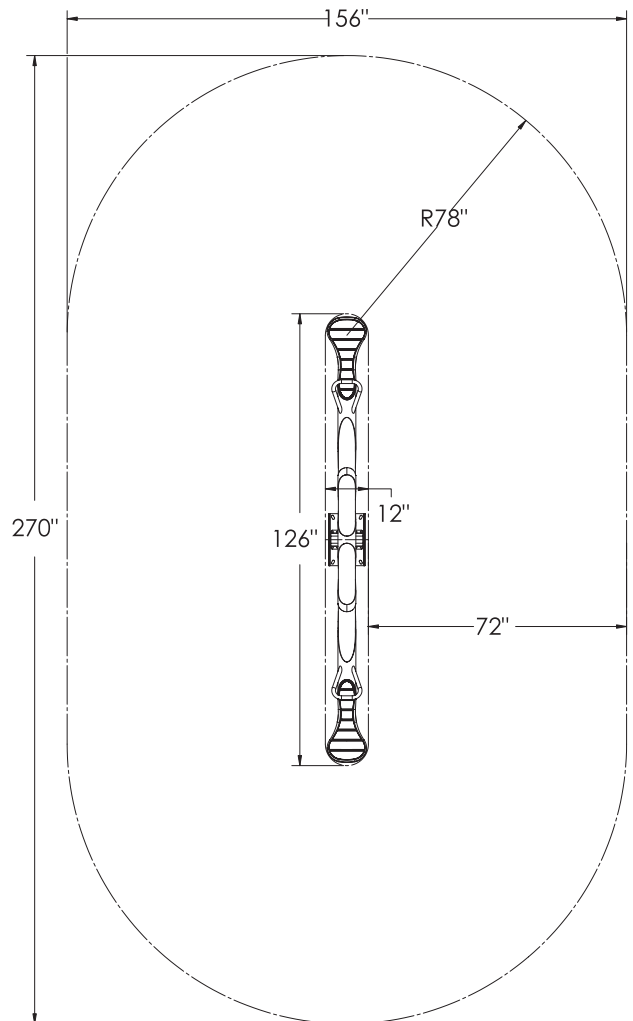


Color Scheme 2
Green/Tan

- Structure is crafted of durable, polyester powdercoated steel, polycarbonate, and maintenance-free, high density, compression molded polyethylene
- Clear polycarbonate tube filled with colorful superballs and chimes
- Seats and handles are ergonomically engineered and crafted for enhanced user comfort
- Chimes are powdercoated aluminum seated in nylon holders
- Self-centering, rubber torsion mechanism
- Surface mount or direct bury
- Weight: 168 pounds
- Maximum fall height is 34 inches – Install appropriate safety surfacing
- Age Appropriate for children 5 to 12, preschoolers require adult supervision
- Warranty text available upon request
- WonderWorx follows IPEMA (International Play Equipment Manufacturers Association) and United States Consumer Product Safety guidelines Commission (CPSC) guidelines
- Patent Numbers 6,991,549 and 7,682,258
- Available in two Color Schemes: Color Scheme I (yellow/blue) or Color Scheme II (green/light blue)
- Available for surface mount or direct bury



Superballs and Chimes



USE ZONE FOR WONDERCHIME® SEESAW